

Stylish Dynamic Touch POS Terminal

High performance touch POS terminal with small footprint empower high technique operation application

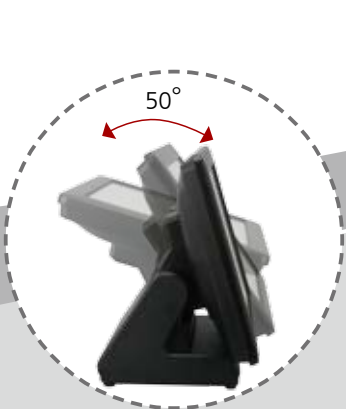
X-POS 752 / X-POS 722 / X-POS 708



X-POS 708



X-POS 722



Wide tilt angle 17°~67°



Support attached customer display

Specifications

Model Name	X-POS 752	X-POS 722	X-POS 708	
Main Board	CPU	Intel® Atom™ Processor N270 1.6GHz		
	Core Logic	Intel 945GSE / ICH7-M		
	System Memory	SO-DIMM DDR2, 128MB up to 2GB		
	OS Support	Windows® XP / XPe, WEPOS, WinCE*, Linux*, POSready, Vista, Windows 7		
Display	TFT LCD Size	15"	12.1"	8.4"
	Brightness	250 nits	200 nits	220 nits
	Resolution	1024 x 768	800x600	800x600
	Touch Screen	5 wire resistive type		
	Tilt Angle	17°~67°	17°~73°	
Storage Device	DOM	1 x IDE 40pins		
	HDD	1 x 2.5" HDD Drive Bay	N/A	
	Compact Flash	1 x slot compact flash typell		
I/O Ports	Serial	3 x RS-232 COM 1 : RS-232/422/485, DB-9, Pin9 w/ RI/5V/12V Selectable by BIOS COM 2 / 5 : DB-9, Pin9 w/ RI/5V/12V Selectable by BIOS	2 x RS-232 COM 1 : RS-232/422/485, DB-9, Pin9 w/ RI/5V/12V Selectable by BIOS COM 2 : DB-9, Pin9 w/ RI/5V/12V Selectable by BIOS	
	Parallel	1 x DB25	N/A	
	USB	4 x USB 2.0	2 x USB 2.0	
	PS/2 Keyboard / Mouse	1 x Mini-DIN		
	LAN	1 x Gigabit Ethernet by RJ-45 , Support Wake on LAN		
	Cash Drawer	1 x RJ11		
	Audio	2W Speaker x 2		
	VGA	1 x [2x5] 2.54mm pin header		
Others	Wall mount	Support VESA Mount		
	Power Input	External adapter,80Watt, 12VDC input		
	Color	Black		
	Material	Plastic / Aluminum		
	EMC& Safety Compliance	FCC / CE / WEEE / RoHS / CCC / CB	FCC / CE / WEEE / RoHS	
	Weight	6.78 Kgs	5.5 Kgs	2.9 Kgs
	Dimension WxDxH (mm)	364.9x228.5x332.3	313x216.3x311.3	233.7x231.3x291.9
	Operating Temperature	0°C ~ 35°C		
	Storage Temperature	-20°C ~ 60°C		
	Humidity	20% - 80% RH, non-condensing		

* Please contact supplier for detail information.

Ordering information

Main Unit

Part No.	Description
XPOS72-5B-A16G	Fanless Touch POS Terminal w/ 15" TFT LCD, Intel® ATOM™ N270 1.6GHz CPU
XPOS72-2B-A16G	Fanless Touch Terminal w/12.1" TFT LCD, Intel® ATOM™ N270 1.6GHz CPU
XPOS72-8B-A16G	Fanless Touch Terminal w/8.4" TFT LCD, Intel® ATOM™ N270 1.6GHz CPU

Optional Accessories (X-POS 752)

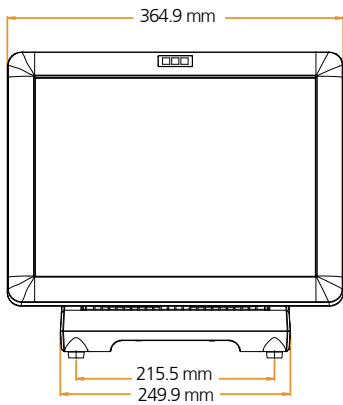
Part No.	Description
Z1300059	LCM Attached Display
Z0500002	MSR-Front Type, 3 Tracks PS/2 Type
Z0500003	MSR-Side Type, 3 Tracks PS/2 Type
Z0500004	MSR-Side Type & Finger Print
Z0500005	MSR-Side Type & i-Button, PS/2 Type
Z0500006	MSR-Side Type & RFID
A0400807	Wireless LAN: IEEE 802.11 B/G, USB

Part No.	Description
20600018	Compact Flash: 512MB
20600005	Compact Flash: 1GB
20600023	Compact Flash: 2GB
20600024	Compact Flash: 4GB
20600033	Compact Flash: 8GB
20900001	OS License: Windows XP Professional, English Version
20900002	OS License: WEPOS, English Version
20300021	Memory: DDR2-667, 512MB, 200PIN, SO-DIMM
20300023	Memory: DDR2-667, 1GB, 200PIN, SO-DIMM
20300024	Memory: DDR2-667, 2GB, 200PIN, SO-DIMM
20200023	2.5" Slim Type HD: 160GB SATA TYPE

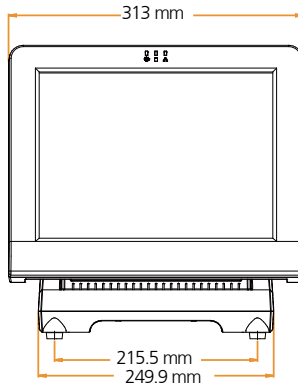
Specifications are subject to change without notice. Issue Date: 2009/10

Dimension & I/O ports

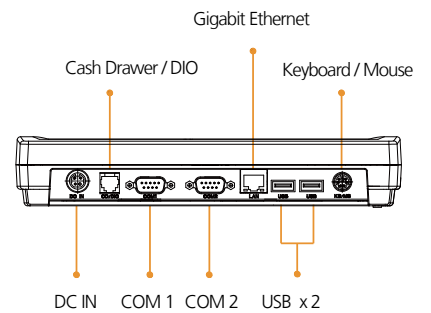
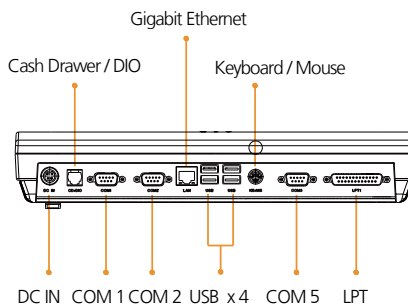
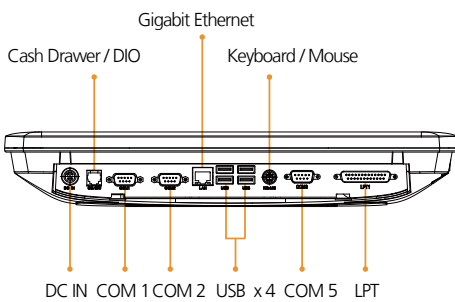
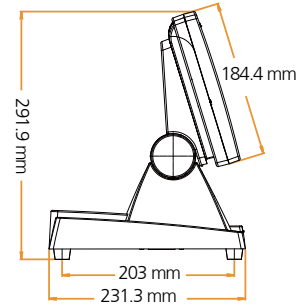
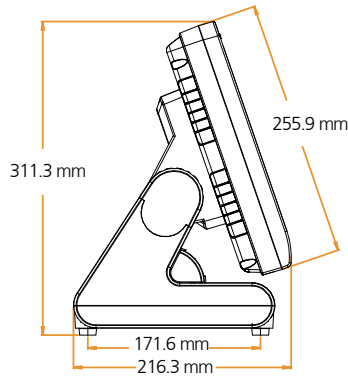
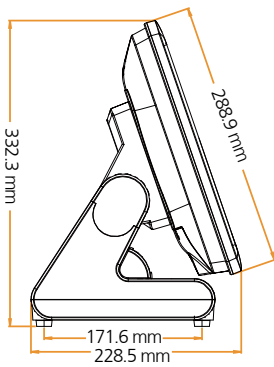
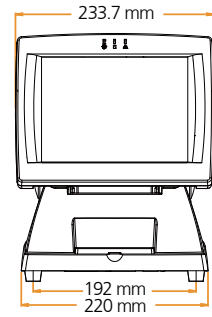
X-POS 752



X-POS 722



X-POS 708



EBN
EBN Technology Corp.

EBN Technology Corp.

10F, No. 90, Sec. 1, Sintai 5th Rd., Sijhih City,
Taipei County 221, Taiwan
TEL : +886-2-2696 9292
FAX : +886-2-2696 9393
E-mail : sales@ebn-pos.com
www.ebn-pos.com